



MC-2005T

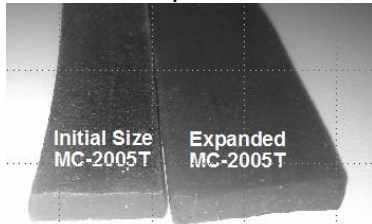
Manufactured by Adeka Corporation
Tokyo, Japan
Imported by OCM, Inc.
Chicago, IL.

www.adeka.com
800.999.3959
Info@adeka.com

FOR CONCRETE CONSTRUCTION/COLD JOINTS

GENERAL DESCRIPTION:

ADEKA ULTRASEAL® MC-2005T is a chemically modified natural rubber (non-vulcanized) product. The manufacturing process chemically bonds a hydrophilic agent to the rubber. This permits the seal to undergo controlled expansion when exposed to moisture (approximately 2 times by volume). This expansion capability provides a "double locking" waterstop i.e. one from rubber's natural resilience and one from expansion pressure generated when it is exposed to water.



Expansion occurs in three dimensions: width, height, and length and will follow the direction of least resistance. Therefore it is important to have waterstop completely encapsulated. MC-2005T requires a minimum of 4.0 ~ 5.0 inches of concrete coverage. See MC coverage chart for complete information. Visit www.adeka.com for coverage chart.

MC-2005T has excellent durability and resistance to chemical contaminants. It can perform in a wide range of solutions such as sea water or cement water. The material does not contain any toxic substance or heavy metals and is environmentally safe.

PRODUCT DESCRIPTION:	
SIZE:	20mm X 05mm (0.78" X 0.20")
PACKAGING:	100 meters (330 feet per case) 35 lbs per case
PROPERTIES:	
Hardness	A30
Tensile Strength	0.9 MPa
Elongation	560%
Volume % Change	120% (approximately 2 times)
Vulcanization	No
Specific Gravity	1.18
Tested by press sheet of MC compound	
Property values are representative values and not specification values	

BASIC USE:

Used in general below grade concrete joint work where hydrostatic head does not exceed 50 feet. MC-2005T may replace conventional waterstop in non-moving joints. Check with your local Adeka Representative for installation parameters.

NOTE: MC-2005T must be placed between two rows of rebar. The required concrete coverage varies from 4.0" ~ 5.0" depending on concrete strength. For example, if concrete psi is 4260 or greater the required concrete coverage is 4.0". If the concrete psi is 2550 or less, the required coverage is 5.0". For complete coverage information see MC Coverage Data Sheet or call 800.999.3959.

INSTALLATION:

ALL METHODS OF INSTALLATION REQUIRE A MINIMUM OF 4.0" ~ 5.0" COVERAGE SEE NOTE

METHOD 1: (Attaching waterstop to smooth concrete)

1. Surface of the concrete must be clean, dry and free from any loose debris. MC-2005T has adhesive back for easy installation.
2. Paint concrete with appropriate adhesive (3M-2141, Bostik 1142, Scotch Grip 1357, 3M 77 spray adhesives, 3M 92 spray adhesive or equal). Allow adhesive to become tacky. Remove release paper and firmly press MC-2005T onto adhesive.
3. Place concrete without displacing or disturbing the position of the waterstop.

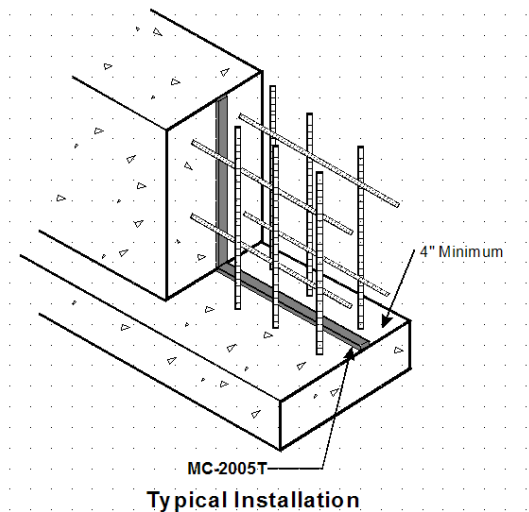
METHOD 2: (Attaching waterstop to rough concrete)

1. Surface of the concrete must be clean and free from any loose debris or standing water.
2. Apply bead of ADEKA ULTRASEAL® P-201. Use enough P-201 to fill any void between MC-2005T and the concrete surface)
3. Remove release paper and press MC-2005T into the P-201 while it is still in the paste state.
4. Use a wet tool or gloved finger to remove any excess P-201. Allow curing time (estimate 1~2 days) before placing concrete.
5. Place concrete without displacing or disturbing the position of the waterstop.



OR:

Attach with glue then fill in rough areas with ADEKA ULTRASEAL® P-201. Inspect to insure there are no voids or gaps between MC-2005T and concrete.



NOTE: The information contained herein is based on our present state of knowledge and is intended to provide general notes on Adeka Waterstops and their uses. Any recommendations or suggestions, which may be made, are without guarantee, since the conditions of use are beyond our control. Furthermore, nothing contained in this publication shall be construed as a recommendation for any use that may infringe patent rights. Readers are cautioned to satisfy themselves as to the suitability of such goods for the purposes intended prior to use

ADEKA ULTRA SEAL MC-2005T

Call (800) 999-3959 for more information.

General Installation Procedures

For use in non-moving joints only. Hydrostatic head less than 50 feet.

ATTACHING MC-2005T TO CONCRETE

SMOOTH CONCRETE:

1. Surface of the concrete must be clean, dry and free from any loose debris. MC-2005T has adhesive back for easy installation.

2. Paint concrete with appropriate adhesive (3M-2141, Bostik 1142, Scotch Grip 1357, 3M 77 spray adhesives, 3M 92 spray adhesive or equal). Allow adhesive to become tacky. Remove release paper and firmly press MC-2005T onto adhesive.

3. Place concrete without displacing or disturbing the position of the waterstop.

ROUGH CONCRETE:

1. Surface of the concrete must be clean and free from any loose debris or standing water.

2. Apply bead of ADEKA ULTRASEAL® P-201. Use enough P-201 to fill any void between MC-2005T and the concrete surface)

3. Remove release paper and firmly press MC-2005T into the P-201 while it is still in the paste state.

4. Use a wet tool or gloved finger to remove any excess P-201. Allow curing time (estimate 1~2 days) before placing concrete.

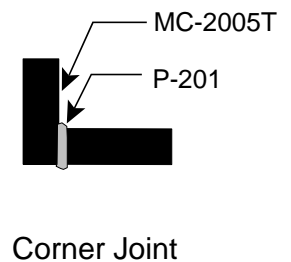
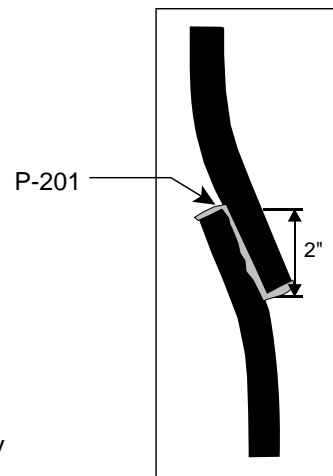
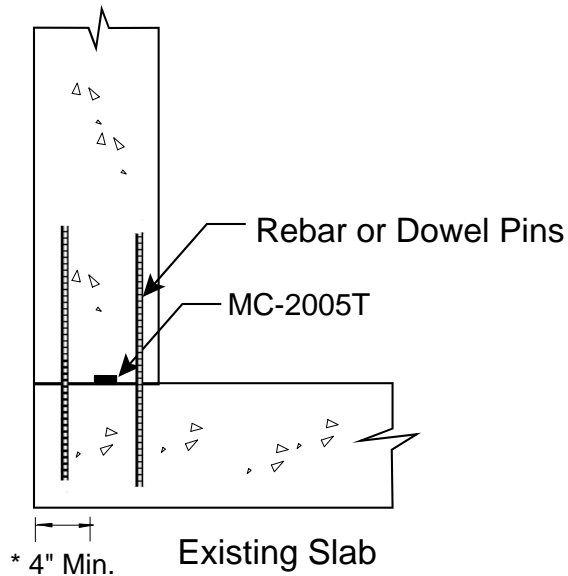
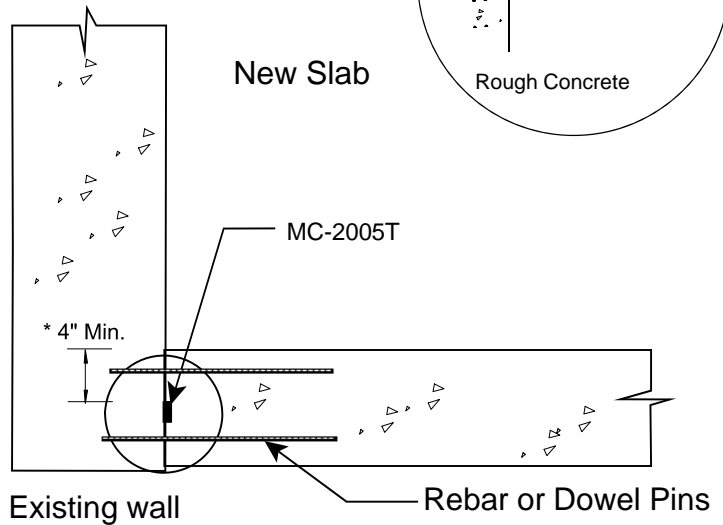
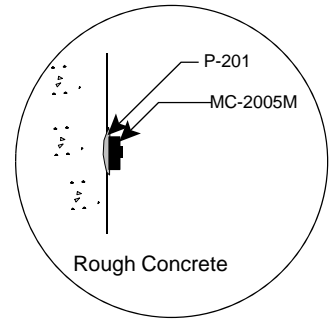
5. Place concrete without displacing or disturbing the position of the waterstop.

Conditions may warrant the use of a combination of methods.

Keep MC-2005T taut during attaching process. Do not allow any gap between the concrete and the MC-2005T.

*** IMPORTANT: Concrete coverage varies from 4.0"~5.0". See note on front page. Call 800.999.3959 or visit www.adeka.com for coverage chart or additional information.**

NOTE: The information contained herein is based on our present state of knowledge and is intended to provide general notes on Adeka Waterstops and their uses. Any recommendations or suggestions, which may be made, are without guarantee, since the conditions of use are beyond our control. Furthermore, nothing contained in this publication shall be construed as a recommendation for any use that may infringe patent rights. Readers are cautioned to satisfy themselves as to the suitability of such goods for the purposes intended prior to use



Side by Side Lap Procedure

Not to Scale.