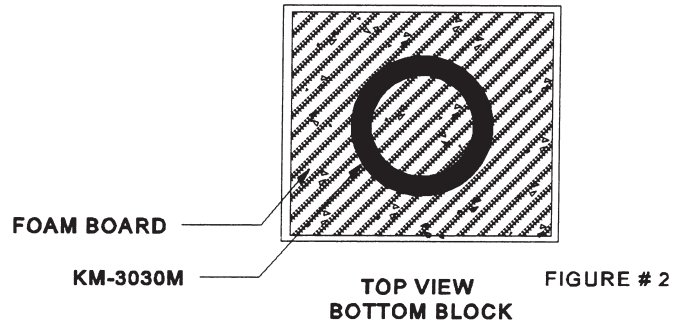
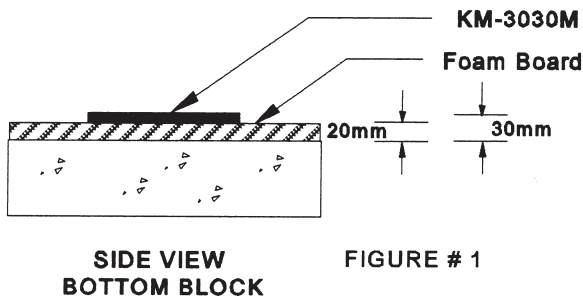


KM-3030M SHEAR MOVEMENT

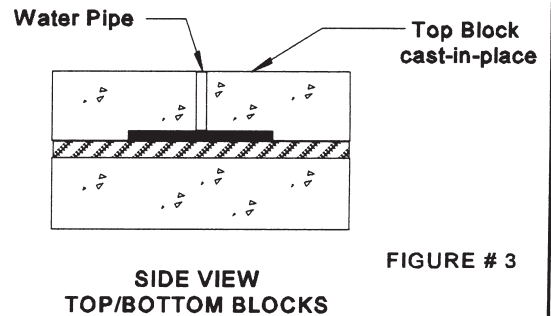
Adeka Ultra Seal KM-3030M placed with 20mm thick foam board as shown in Figure #1 and #2.

The completed test jig is shown in Figure #3.



The test jig was immersed in water for 10 days without applying any hydrostatic head pressure. The 10 day period of immersion allowed the material to expand and seal before applying any pressure.

A pressure of 3 kg/cm² (42.9 psi) was maintained throughout the test. The blocks were moved 30mm (1.18") apart. The KM-3030M did not allow any water leaks during or after the moving process.



Note Figures #4 and #5.

