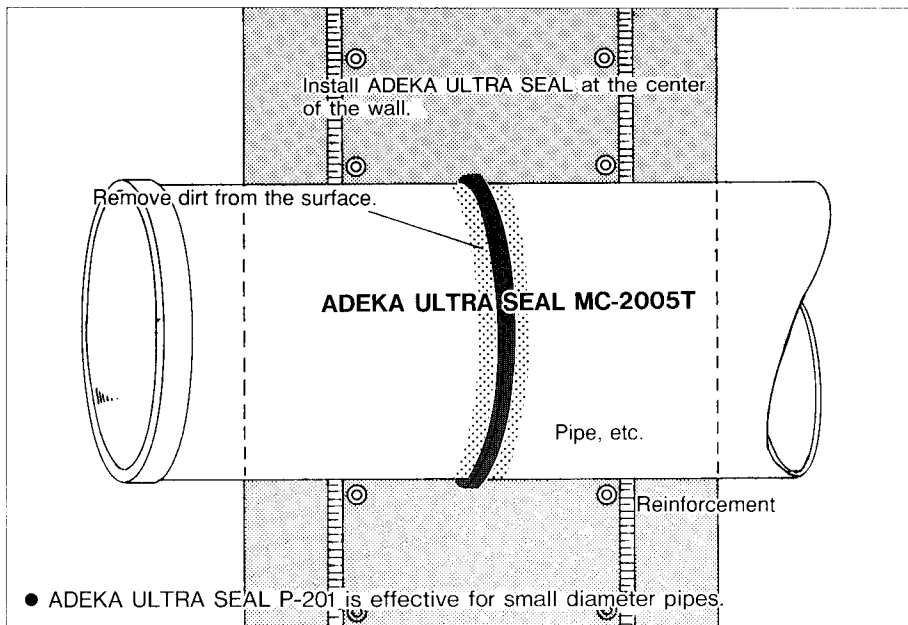
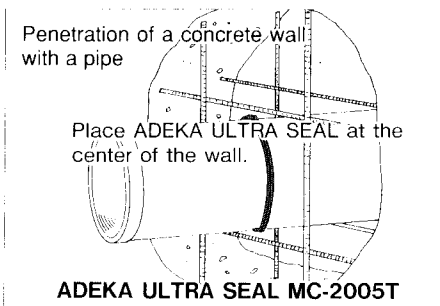


Pouring new concrete

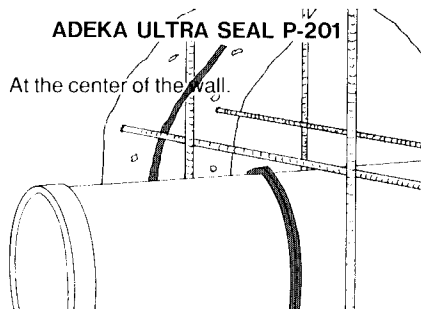


Box punching and cores.



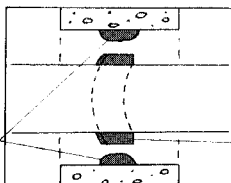
At the center of the wall, apply ADEKA ULTRA SEAL P-201 uniformly without any gaps. To obtain a bead which is 20mm (5/6 inch) wide and 5mm (1/4 inch) thick, cut the tube at the first line.

Install the ADEKA ULTRA SEAL MC-2005T at the center of the wall where the pips penetrates the wall.



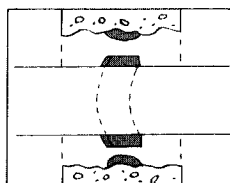
Cross section a box punching

ADEKA ULTRA SEAL P-201

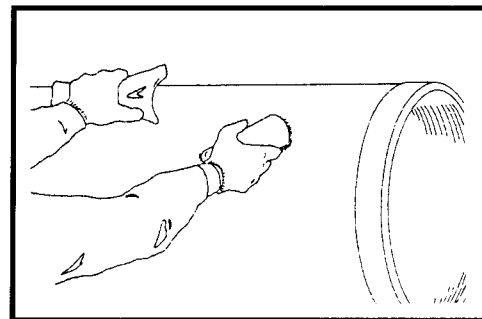


Cross section in which a core is made.

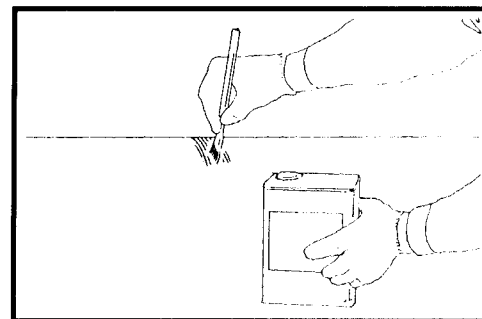
ADEKA ULTRA SEAL MC-2005T



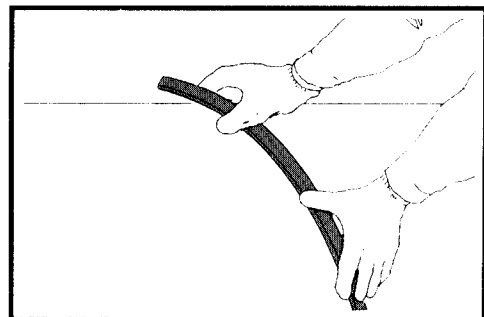
Procedure for installing ADEKA ULTRA SEAL



1 Clean the surface of the penetrating object (concrete pipe, etc.), and remove dirt from the surface.



2 Put Bond on the section where ADEKA ULTRA SEAL is to be installed. (The Bond dries in 15 minutes in summer and 30 minutes in winter.)



3 Apply ADEKA ULTRA SEAL MC-2005T on to the surface. When the diameter of the pips, etc. on which the ADEKA ULTRA SEAL is to be installed is larger than 600mm (24 inches), use MC-2010M.